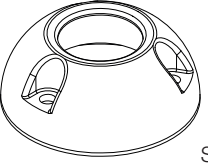
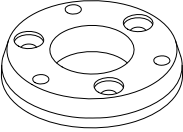
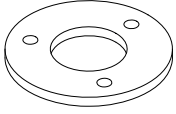

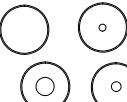
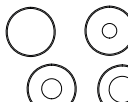
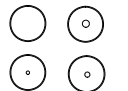
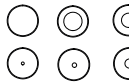


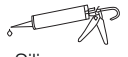




Parts List

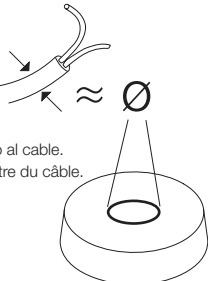
				
Shell x1	Base x1	Gasket x1		
				
M4X10 Bolt - (Black*) x1	DS21A Bungs x4	DS21B Bungs x4	DS16 Bungs x4	DS6 Bungs x6
				
No. 4X16 self tapping screw x4				

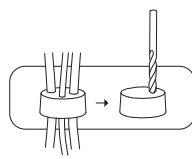
Tools Required

	
Pozi Screwdriver	Silicone
	
DS21 - $\varnothing 21\text{mm}$ (0.82") DS16 - $\varnothing 16\text{mm}$ (0.62") DS6 - $\varnothing 6\text{mm}$ (0.23") Hole Saw/ Drill Bit	$\varnothing 2\text{mm}$ (5/64") / 2.5mm (3/32") Drill Bit

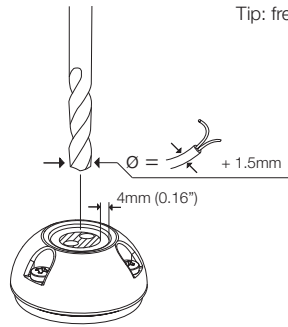
① Choose bung closest to cable  $\varnothing$ .

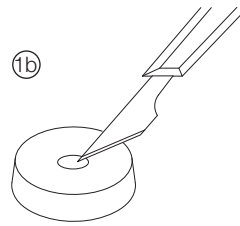
DE - Wähle Dichtung nahe dem Kabel  $\varnothing$ .  
 IT - Scegliere il passafili adatto al  $\varnothing$  del cavo.  
 ES - Elija el tapón con el diámetro más parecido al cable.  
 FR - Choisissez le joint le plus proche du diamètre du câble.

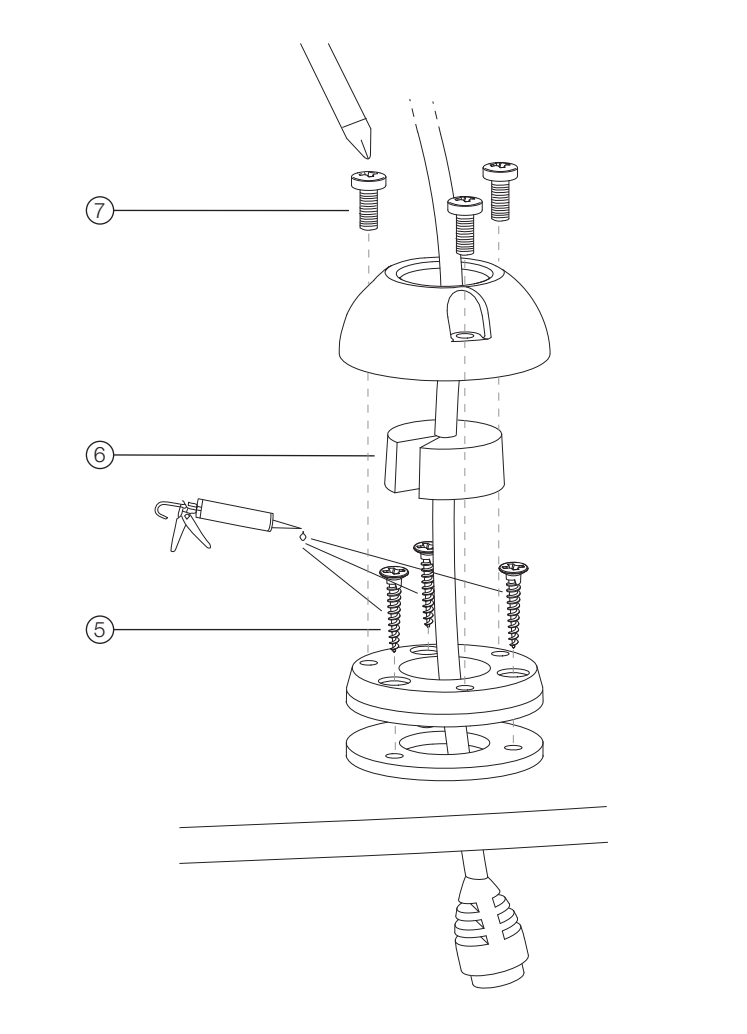


①a 

Tip: freeze before drilling  $-18^{\circ}\text{C}$



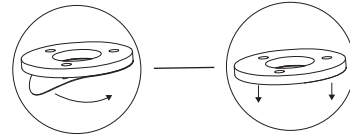
①b 



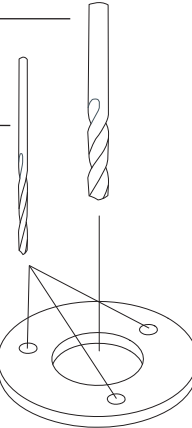
⑦

⑥

⑤

② 

③ 6mm (0.23")  
 16mm (0.62")  
 21mm (0.82")

④ 

Suggested pilot holes:

Material	No. 4 Screw
Soft Material e.g. plywood	2mm (5/64")
Hard Material e.g. fiberglass, acrylic, hardwoods	2.5mm (3/32")

Share your installation with us.



UK & International  
 +44 (0)1392 531280  
 sales@scanstrut.com

For further installation  
 and warranty information  
 please visit:  
 www.scanstrut.com

USA  
 +1 860 308 1416  
 usasales@scanstrut.com