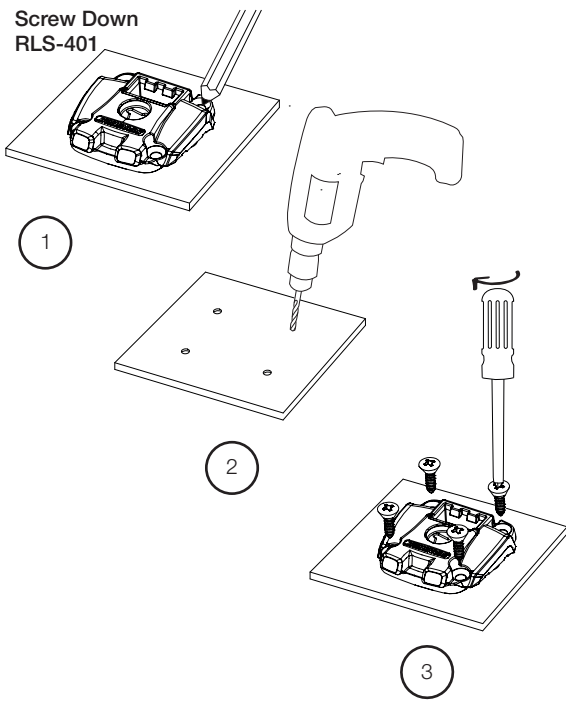


**Screw Down  
RLS-401**



4 x M4x16MM  
Posi Self Tap

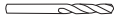
Screw down base



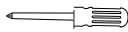
Pencil



Power Drill

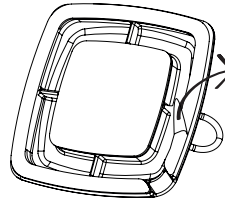


ø1/16"(2.0 mm)  
drill bit

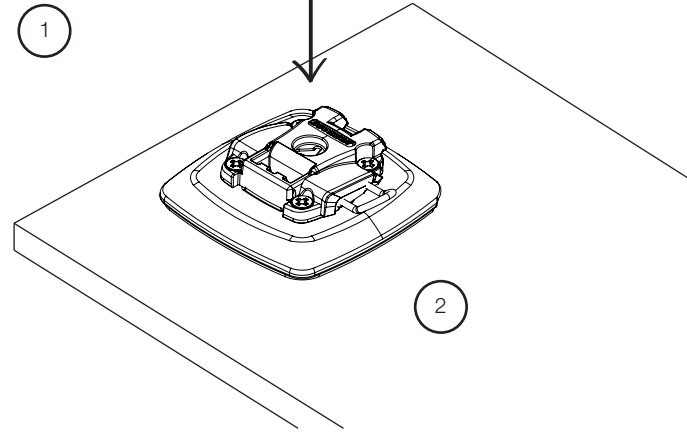


Posi Screw driver

**Self-Adhesive  
RLS-404**



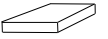
1



2

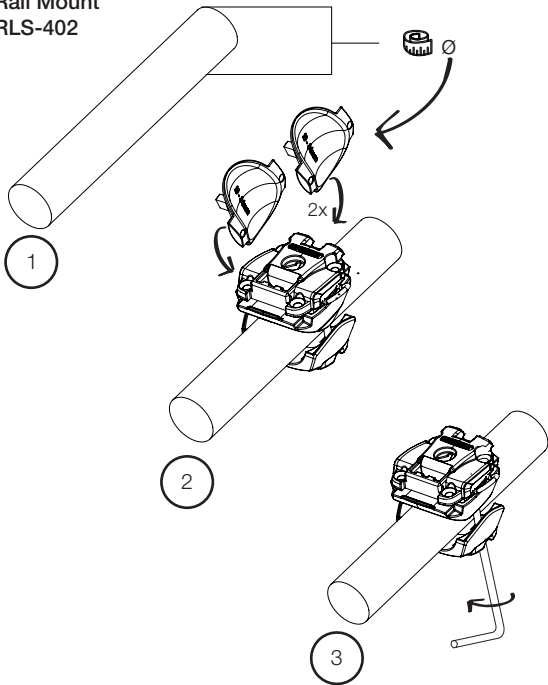


Self adhesive  
base



Non-porous  
smooth surface

**Rail Mount  
RLS-402**



Tape measure



6 x rubber  
patches



Rail mount base

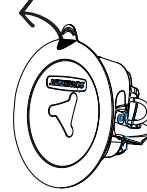


4mm allen key

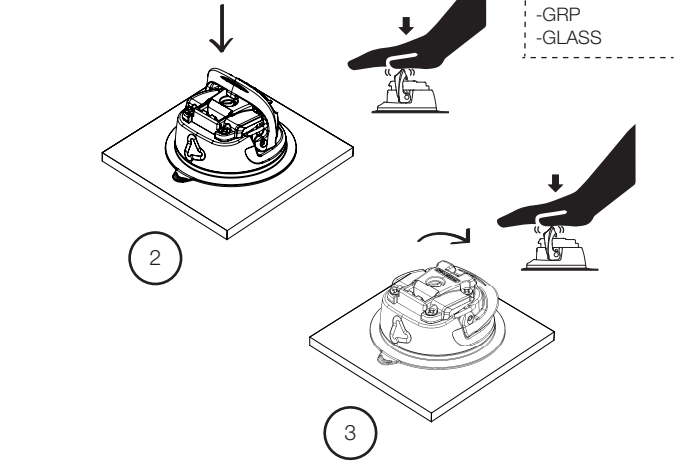


2 x M4 x 30mm  
Socket Head

**Suction Cup  
RLS-405**



1



2

3

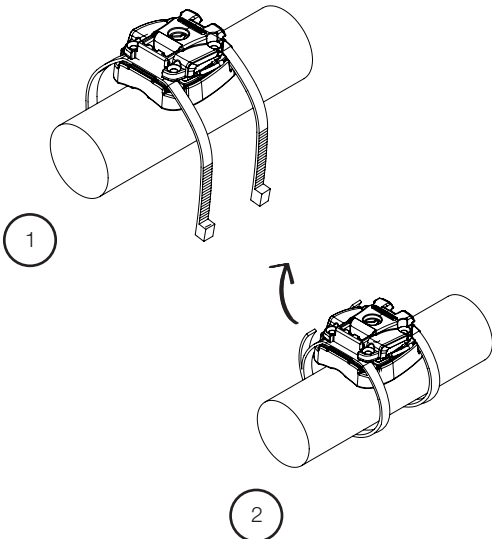


Suction Cup  
Base



Non-porous  
smooth surface  
-GRP  
-GLASS

**Zip tie  
RLS-403**

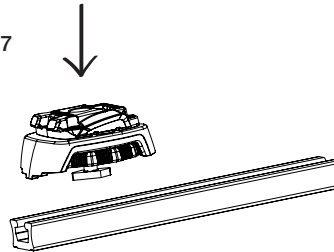


4 x zip tie

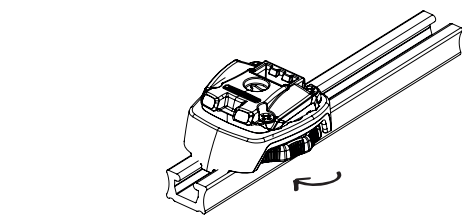


Base Unit

**T-Track  
RLS-407**



1

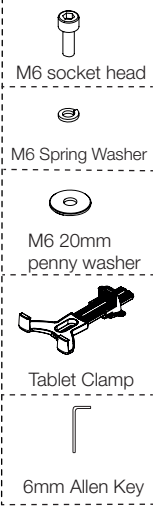
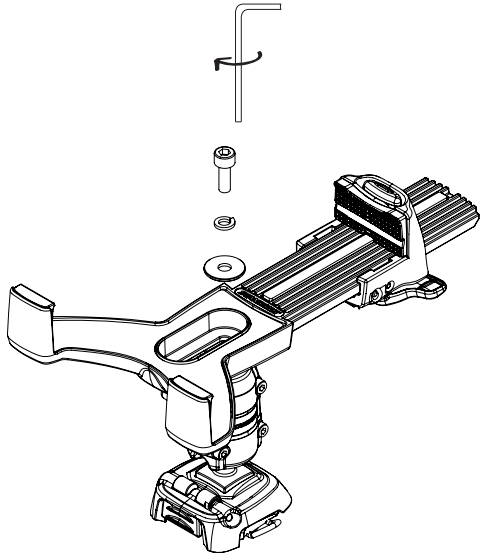


2

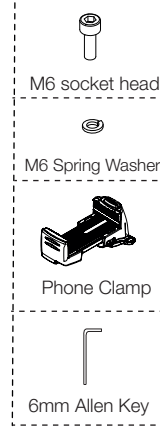
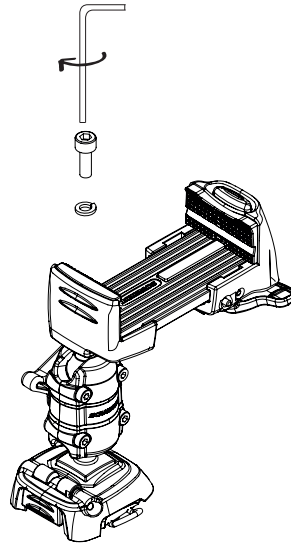


T-track base

Tablet Clamp  
RL-508



Phone Clamp  
RL-509



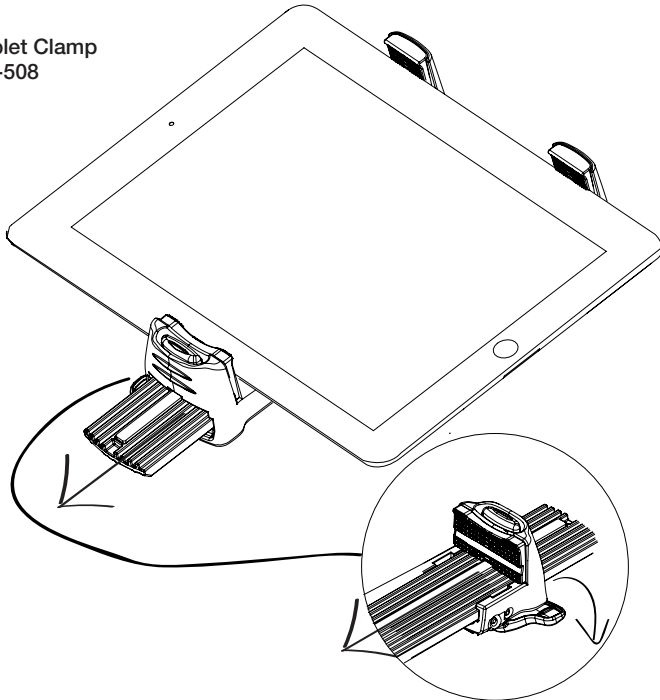
www.scanstrut.com



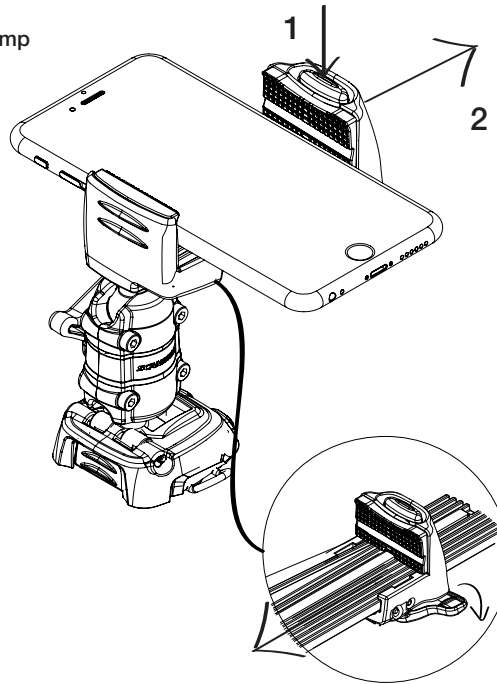
INSTALLATION MANUAL  
RL 508/509

MINI.  
**ROK™**

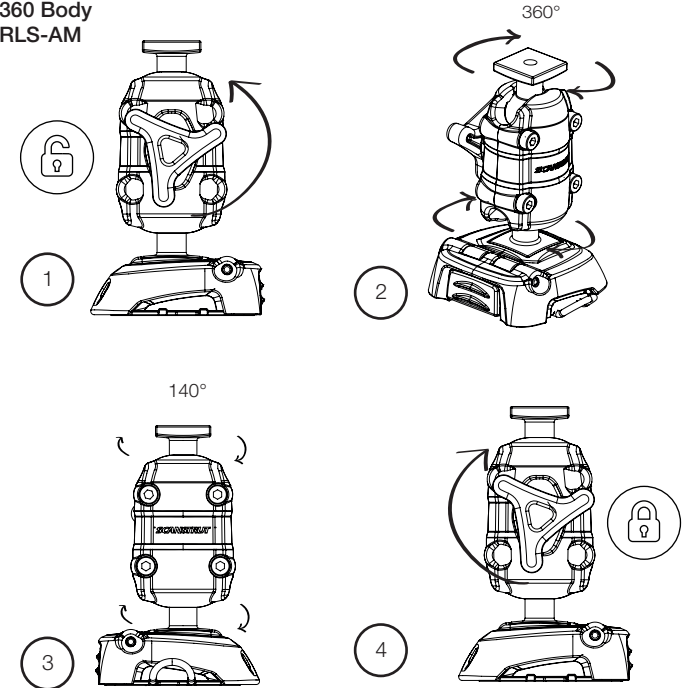
Tablet Clamp  
RL-508



Phone Clamp  
RL-509



360 Body  
RLS-AM



SCANSTRUT  
DESIGN • INVENT • BUILD