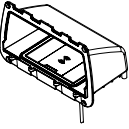
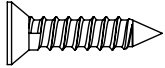

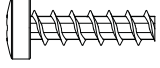





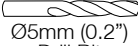


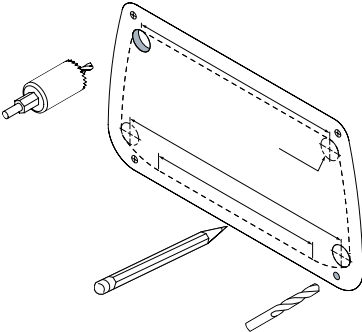
Part List	
	Pocket x1
	Countersunk screw x4
	Bezel x1
	Pan head screw x4

Tools Required		
	Jig Saw	
	Hole saw Ø20mm (0.79")	
		Drill bit (see table)
		Optional drainage
		 Ø5mm (0.2") Drill Bit
		 Drain tube Ø8mm (5/16")

Technical	
IP Waterproof Rating	IPX6 Front and back
Input voltage	10-30V DC (12/24V System)
Input current max	2A
Output power max	15W (9V 1.25A)
Standby power max	<1.2W
Certification	CE, UKCA, FCC, ROHS, C-Tick, UN ECE R10, E24, PSE Certified

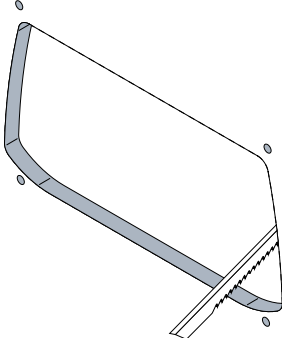


READ THE IMPORTANT SAFETY INFORMATION LEAFLET BEFORE INSTALLING.



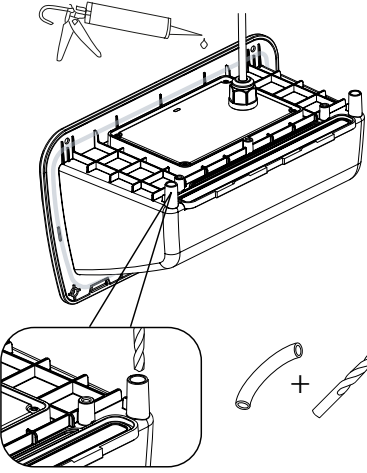
①

- Check installation size
- Mark the cutting boundary
- Use template to
 - Drill 4x pilot holes (see table)
 - Hole saw 4x 15mm (0.59")



②

- Jig saw inside of the cutting boundary. DO NOT exceed the boundary area.

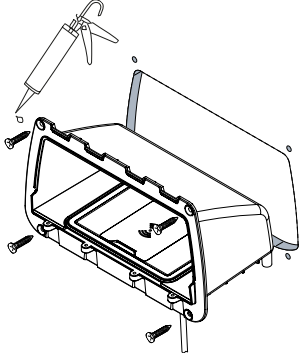


③

- Apply silicone sealant generously around flange, ensure good coverage around perimeter.

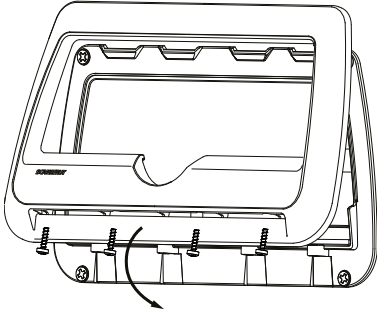
(Optional - Tools and parts not included).

- Install drainage on product.
 - Drain holes: Ø5mm (0.2") drill bit required.
 - Drain pipe: ID Ø8mm (5/16") required.



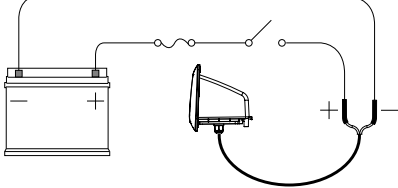
④

- Secure pocket in place using 4x countersunk fixings.
- Apply silicone sealant to fixings holes.



⑤

- Attach front bezel.
- Secure in place using 4x pan head fixings.



⑥

- Connect wires or connectors to 12/24V supply, ensuring a waterproof connection.
- Fuse according to input voltage and current.

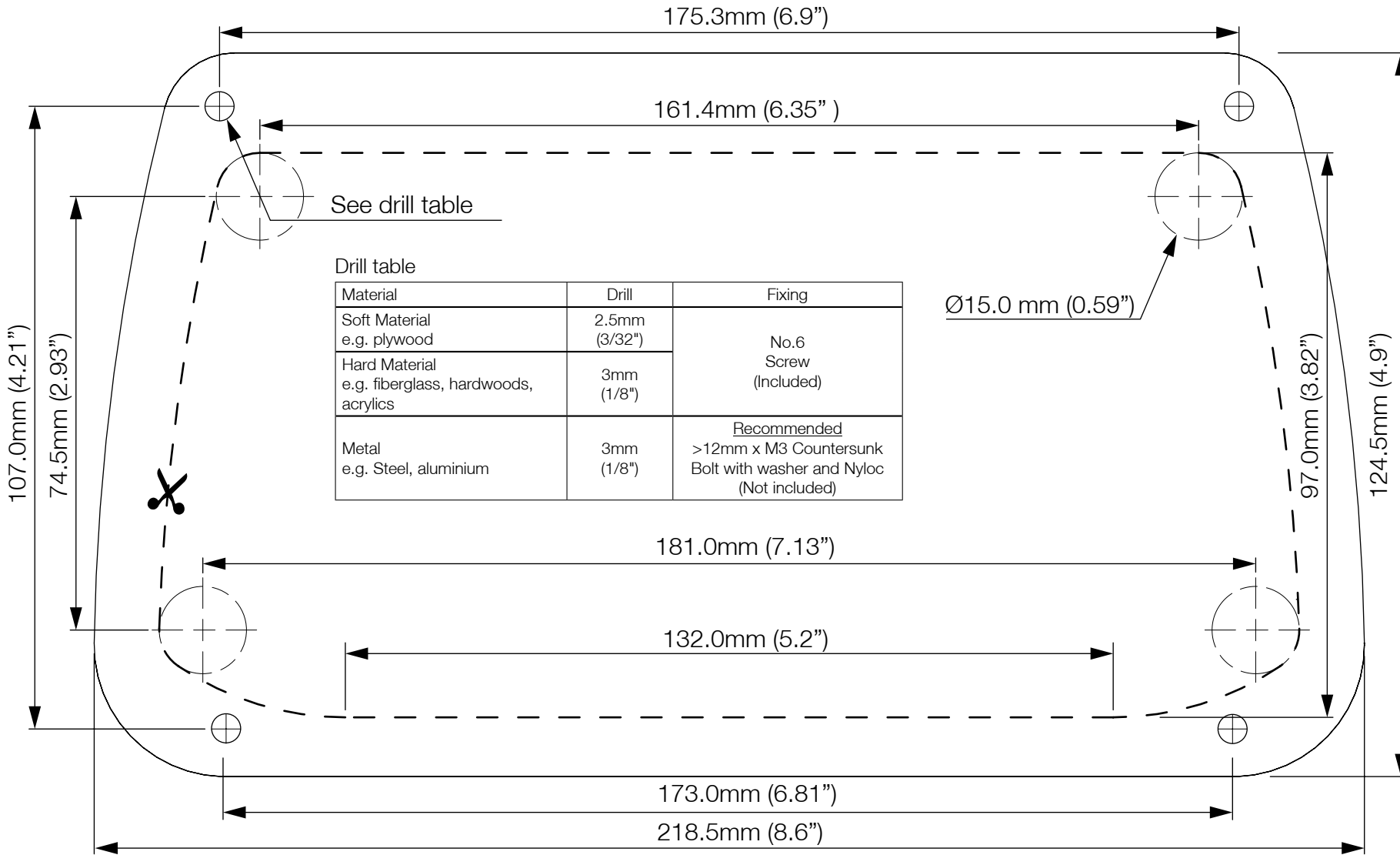
Note: The electrical schematic is to illustrate how the product should be connected to a 12V DC or 24V DC battery/power supply.

UK & International
+44 (0)1392531280
sales@scanstrut.com

For further installation
and warranty information
please visit:
www.scanstrut.com

USA
+1 860 308 1416
usasales@scanstrut.com





Drill table

Material	Drill	Fixing
Soft Material e.g. plywood	2.5mm (3/32")	No.6 Screw (Included)
Hard Material e.g. fiberglass, hardwoods, acrylics	3mm (1/8")	
Metal e.g. Steel, aluminium	3mm (1/8")	<u>Recommended</u> >12mm x M3 Countersunk Bolt with washer and Nyloc (Not included)



Print document 1:1
scale for correct
cutting template
size.

Paper Size A4

- LED Charging indicator
- White LED Constant: ON Charge
- Red LED Constant: Standby (power ON)



Red LED Flashing:

Foreign object detection: metallic object placed on top that is not Qi compatible.
OR
Thermal cutout: The internal temperature is too high/ low. Wait for product to return to operating temperature.

UK & International
+44 (0)1392531280
sales@scanstrut.com

For further installation
and warranty information
please visit:
www.scanstrut.com

USA
+1 860 308 1416
usasales@scanstrut.com

