

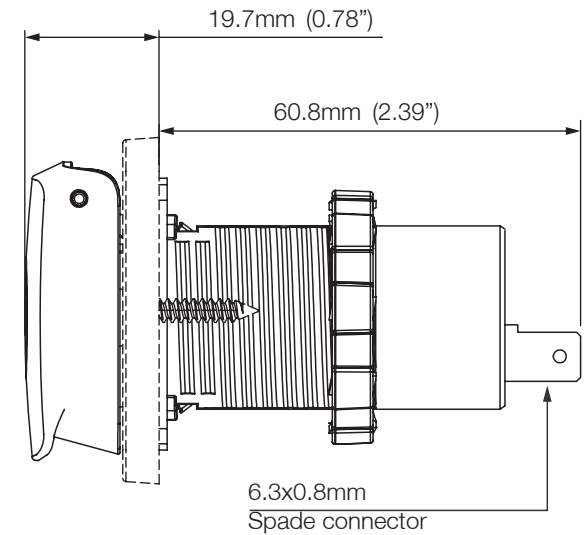
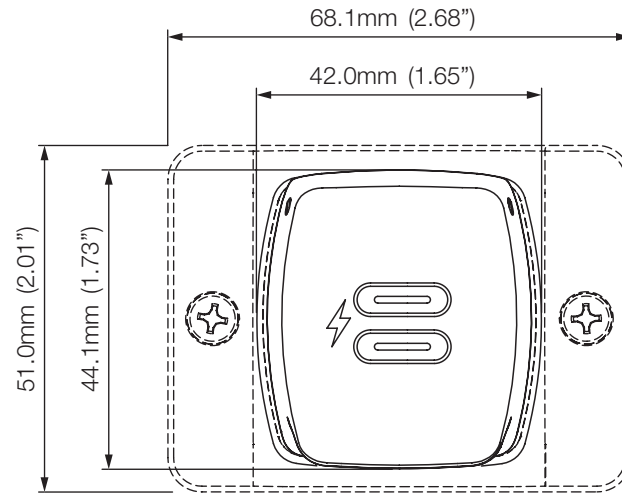
# Flip Pro Max - Dual USB-C Charge Socket - **SC-USB-F3**

Email: [sales@scanstrut.com](mailto:sales@scanstrut.com)

Email: [usasales@scanstrut.com](mailto:usasales@scanstrut.com)

## Technical info:

Input voltage 12/24V system	10-32V DC
Input current max	6A
Output type C (12V system)	5V=3A, 9V=3A 12V=3A max
Output type C (24V system)	5V=3A, 9V=3A 12V=3A, 15V=3A 20V =3A max
Waterproof rating	IPX4 front only lid closed
Standby draw	0.01W
Certification	CE, FCC, UKCA C-Tick, ROHS, WEE



## Drilling template:

