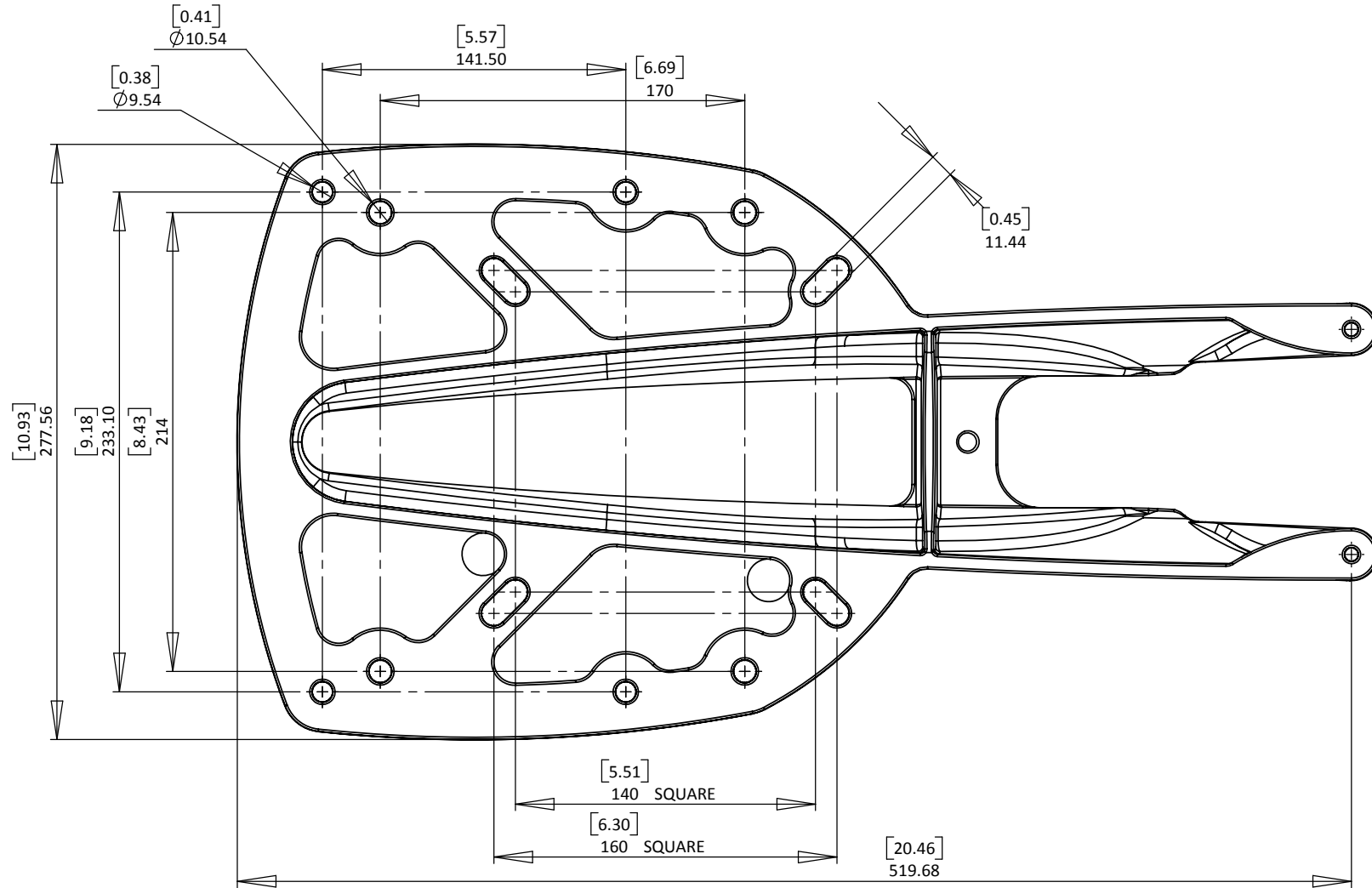


# SC21 Mast Mount Fixing Dimensions

For help & information  
email: [sales@scanstrut.com](mailto:sales@scanstrut.com)  
tel: +44 (0) 1392 531280



**SCANSTRUT**  
designed for life at sea