

Satcom Mount - SC35 **Installation Instructions**

SC35 Kit Contents:

- SC35 Composite Moulding
- Expanded Polyethylene Seal
- Cable gland (optional)

- 4x 8mm Stainless Steel bolts, washers and nuts to attach SC35 to deck/arch or Pole Top. (Length to suit deck/ arch/ Pole top).
- 13/32" / 16.5mm Drill (for optional cable gland)
- 9/32" / 8.5mm Drill.
- Hole Cutter for cable loom; approx 2" / 50mm diameter.

Also Required:

Drilling guide to mount the SC35

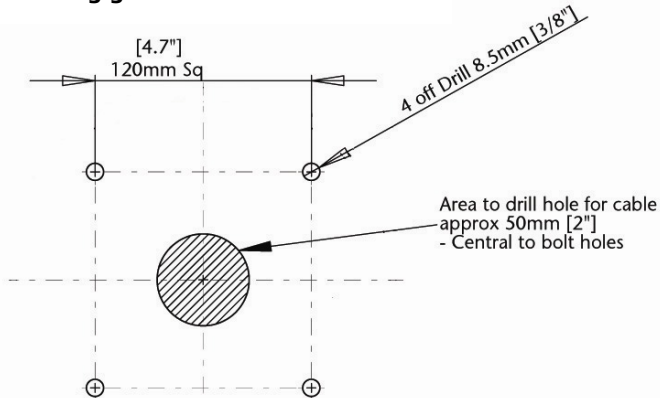


Figure 1

Cable gland hole location

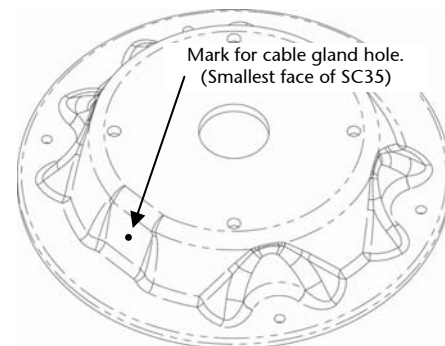


Figure 2

Before fitting the SC35, decide whether you wish to lead the cable outside the SC35 and back through the cable gland or doubled back under the dome and through the inside of the SC35.

To fit the cable gland (if required):

1. Drill a 13/32" / 16.5mm hole in the smallest face of SC35 with the hole centre indicated by the small dent in the SC35 - (**See figure 2**).
2. Insert the gland body into the 16.5mm hole. Fit the seal and nut screwed to the inside face. The connector may need to be removed from the cable so that it can be fed through the gland. After the gland has been fitted continue with the installation.

If you are fitting to an arch / deck:

1. Drill the arch to match SC35 mounting hole pattern and central cable exit (**figure 1**).
2. Using 4 x M8 Stainless Steel Bolts fasten the SC35 into position.
3. Thread cable loom up through the arch, SC35 (cable gland) and connect to Sat Dome.
4. Using the 4 feet of the dome position the Expanded Polyethylene Seal under the Sat Dome and position the Dome onto the SC35.
5. Fasten the dome to the top plate of the SC35 with the bolts supplied with the sat Dome ensuring the seal compresses so that the dome mounting feet are touching the SC35 moulding.

If you are fitting to the top plate of a pole mount:

1. Install your pole mount as instructed.
2. Follow 2 – 5 as explained in the arch/deck fitting (see above). At 4, thread the cable loom up through the pole system, SC35, (cable gland) and connect to your Sat Dome.