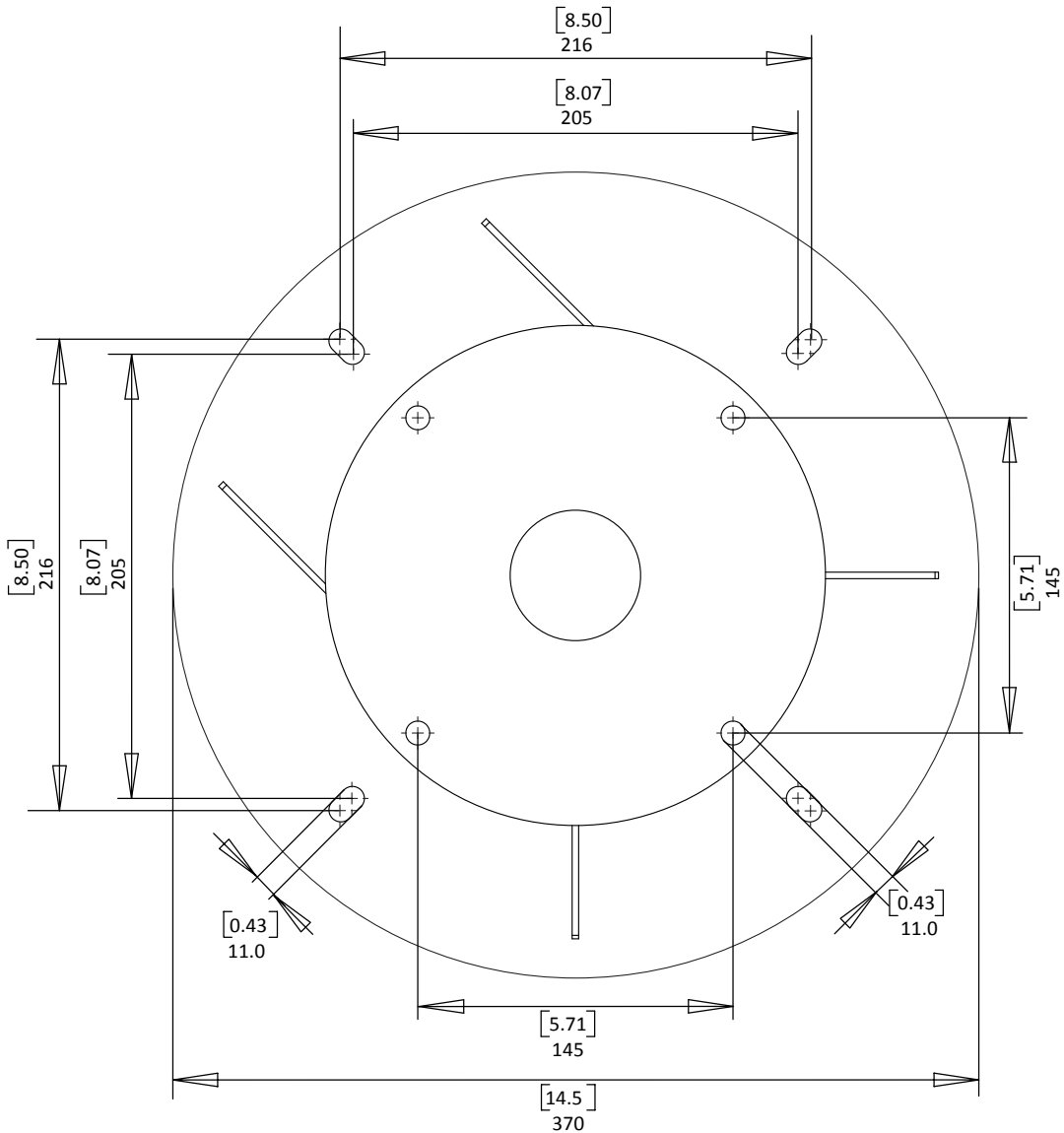
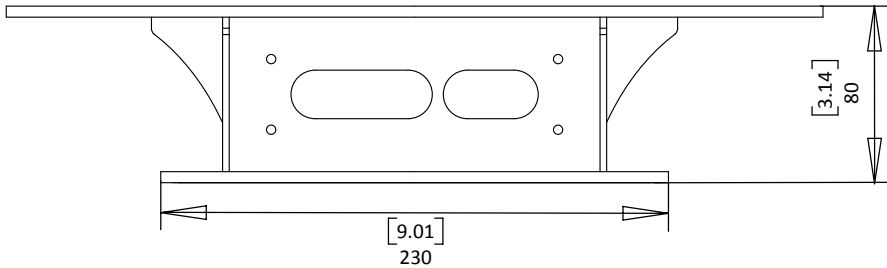


SC80 Satcom Adapter Fixing Dimensions



ALL SATCOM FIXING POSITIONS ARE PRE DRILLED AS DIMENSIONED



MATERIAL: 5mm STAINLESS STEEL 316
FINISH: POLISHED

